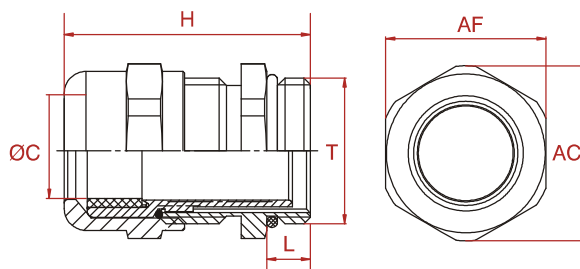


CABLE GLANDS - METRIC THREAD



BRASS

Properties

Dome Nut	Nickel Plated Brass
Gland Body	Nickel Plated Brass
Sealing Ring	Nitrile Rubber NBR
Flat / O Ring	Nitrile Rubber NBR
Temperature Range	-20°C / +100°C

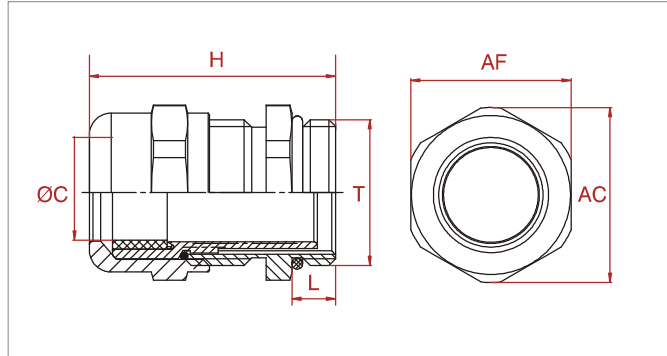
Technical Data

Connecting Thread	Metric as per EN 60423
Protection Grade	IP 68
Test Standard	UL 514B
Pitch	1.5 mm
UL File No.	E466603
Approvals	

Cable Glands - Standard Thread						Hexagonal Dimensions	
Article No.	External Thread	Clamping Range	Entry Thread Length	Height	Packet Size	Across Flats	Across Corners
	T	ØC (mm)	L (mm)	H (mm)	(Pcs.)	AF (mm)	AC (mm)
01 17 11001	M 12	3 - 6	5	25	100	14	15.5
01 17 11002	M 16	5 - 9	5	30	100	18	20
01 17 11003	M 20	9 - 13	6	33.5	50	22	24
01 17 11004	M 25	11 - 16	7	36.5	50	27	30
01 17 11005	M 32	14 - 21	8	38	25	34	36
01 17 11006	M 40	19 - 27	8	41	10	43	46
01 17 11007	M 50	24 - 35	9	49.5	5	55	60
01 17 11008	M 63	32 - 42	10	52.5	5	65	70

Cable Glands - Long Thread						Hexagonal Dimensions	
Article No.	External Thread	Clamping Range	Entry Thread Length	Height	Packet Size	Across Flats	Across Corners
	T	ØC (mm)	L (mm)	H (mm)	(Pcs.)	AF (mm)	AC (mm)
01 17 11009	M 12	3 - 6	10	30	100	14	15.5
01 17 11010	M 16	5 - 9	10	35	100	18	20
01 17 11011	M 20	9 - 13	10	37.5	50	22	24
01 17 11012	M 25	11 - 16	11	40.5	50	27	30
01 17 11013	M 32	14 - 21	13	43	25	34	36
01 17 11014	M 40	19 - 27	13	46	10	43	47.5
01 17 11015	M 50	24 - 35	14	54.5	5	55	60
01 17 11016	M 63	32 - 42	14	56.5	5	65	70

CABLE GLANDS - Pg THREAD



BRASS

Properties

Dome Nut	Nickel Plated Brass
Gland Body	Nickel Plated Brass
Sealing Ring	Nitrile Rubber NBR
Flat / O Ring	Nitrile Rubber NBR
Temperature Range	-20°C / +100°C

Technical Data

Connecting Thread	Pg as per DIN 40430
Protection Grade	IP 68
Test Standard	UL 514B
UL File No.	
Approvals	CE

Cable Glands - Standard Thread						Hexagonal Dimensions	
Article No.	External Thread	Clamping Range	Entry Thread Length	Height	Packet Size	Across Flats	Across Corners
	T	ØC (mm)	L (mm)	H (mm)	(Pcs.)	AF (mm)	AC (mm)
01 17 11119	Pg 7	3 - 6.5	5	24	100	14	15.5
01 17 11087	Pg 9	4 - 8	6	29	100	17	19
01 17 11088	Pg 11	5 - 10	6	29.5	50	20	22
01 17 11089	Pg 13.5	6 - 12	6.5	31.5	50	22	24.3
01 17 11090	Pg 16	10 - 14	6.5	31.5	50	24	26.5
01 17 11091	Pg 21	13 - 18	7	34	50	30	33.4
01 17 11092	Pg 29	18 - 25	8	39	25	40	43.4
01 17 11093	Pg 36	24 - 32	10	44	10	50	50
01 17 11120	Pg 42	30 - 38	12	48	5	57	57
01 17 11121	Pg 48	34 - 44	14	51.5	5	64	64

Cable Glands - Long Thread						Hexagonal Dimensions	
Article No.	External Thread	Clamping Range	Entry Thread Length	Height	Packet Size	Across Flats	Across Corners
	T	ØC (mm)	L (mm)	H (mm)	(Pcs.)	AF (mm)	AC (mm)
01 17 11122	Pg 7	3 - 6.5	15	24	100	14	15.5
01 17 11123	Pg 9	4 - 8	15	29	100	17	19
01 17 11124	Pg 11	5 - 10	15	29.5	50	20	22
01 17 11125	Pg 13.5	6 - 12	15	31.5	50	22	24.3
01 17 11126	Pg 16	10 - 14	15	31.5	50	24	26.5
01 17 11127	Pg 21	13 - 18	15	34	50	30	33.4
01 17 11128	Pg 29	18 - 25	15	39	25	40	43.4